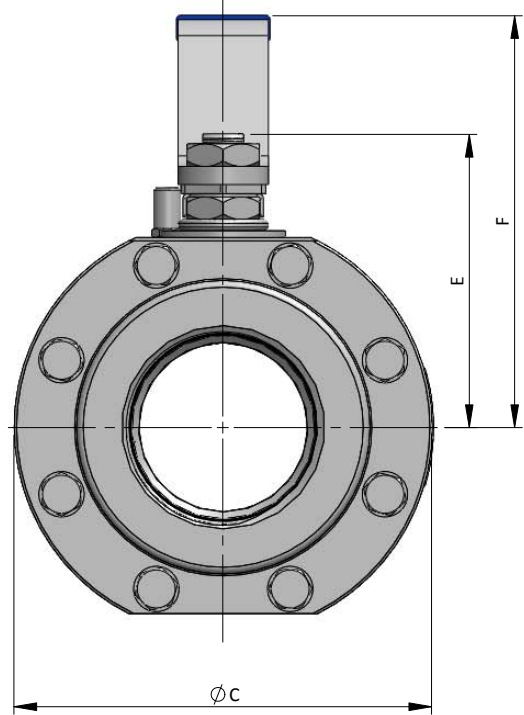
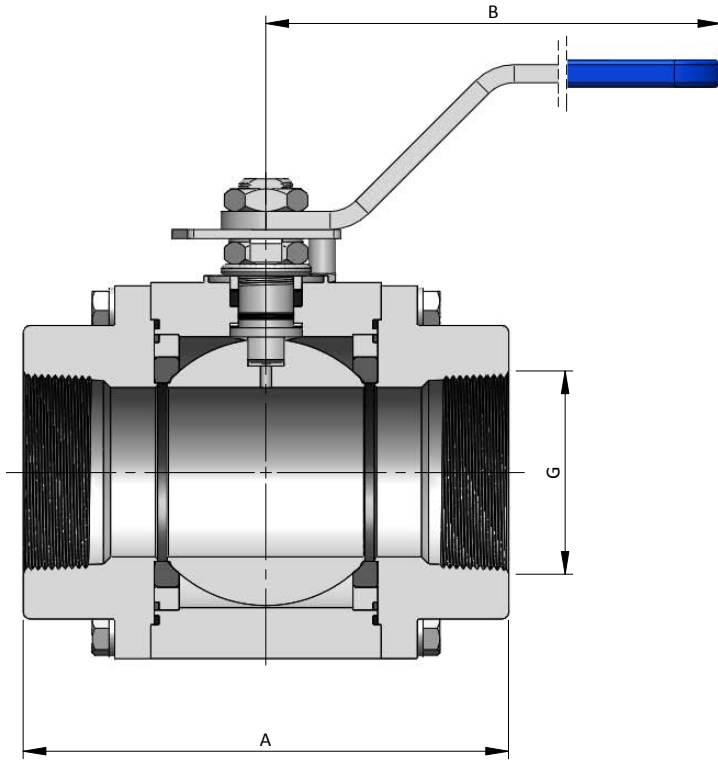


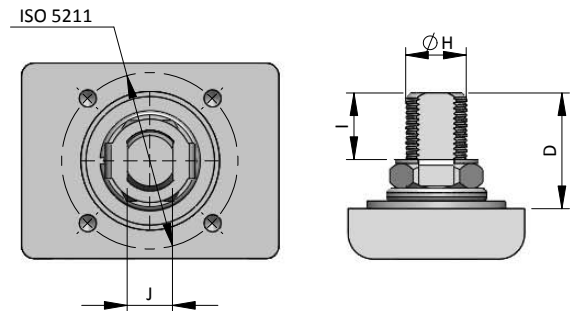


DS: SF-F2DB3

CARBON STEEL A350 LF2 VERSION

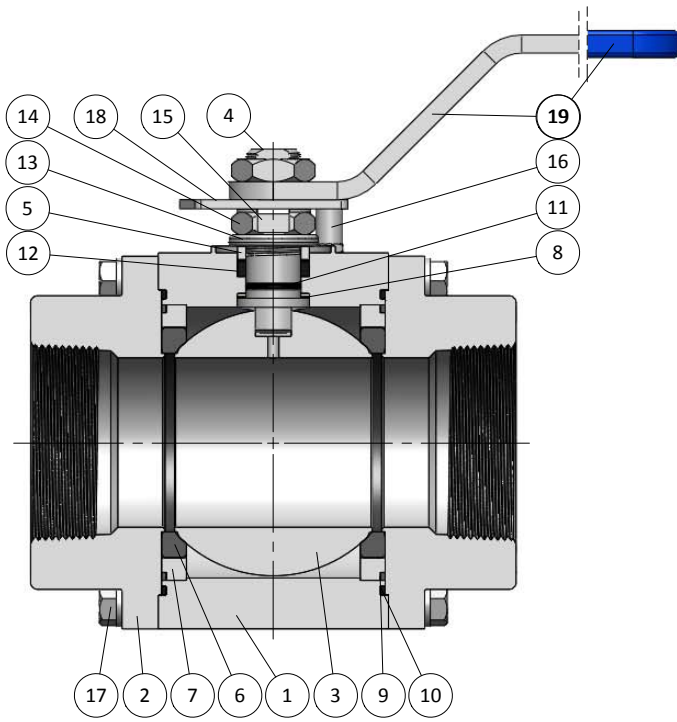


Threaded Ends
NPT according to ASME B1.20.1
BSP according to ISO 228-1
BSPT according to ISO 7-1



DN / Size		Dimensions								Automation					Cv	Weight Approx. [Kg]	
FULL BORE		Ball Port	A	B	C	D	E	F	G	H	I	J	ISO 5211	BTO* [Nm]			MAST [Nm]
mm	inch																
50	2"	49	150	230	140	23	84	125	NPT - BSP - BSPT	16	13.5	11	F05	53	84	162	12.0
65	2½"	62	190	350	165	48	120	170		24	27.0	18	F07	67	335	267	20.0
80	3"	75	215	350	185	46	130	180		24	27.0	18	F07	82	335	390	30.0
100	4"	98	260	500	230	57	160	207		30	30.0	22	F10	97	646	700	50.0

*BTO - Break to Open Torque at full differential pressure



CARBON STEEL A350 LF2 VERSION

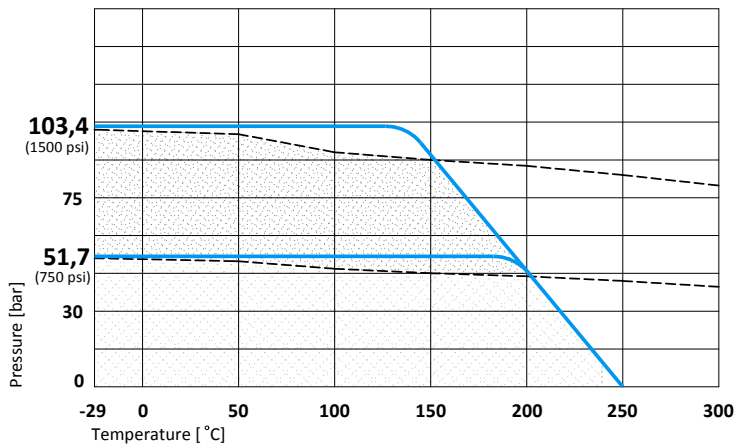
Part	Qt.	Description	Materials
1	1	Body	A350 LF2
2	2	End	A350 LF2
3	1	Ball	F316/CF8M
4	1	Stem	A182 F316-316L
5	1	Gland Packing	A182 F316-316L
6	2	Seat	CG-RPTFE
7	2	Seat Ring	A350 LF2
8	2	Stem Thrust Seals	CG-RPTFE + PEEK
9	2	1 st Body Seal	CG-RPTFE
10	2	2 nd Body Seal	GRAPHITE
11	1	O'Ring	VITON
12	1	Stem Packing Set	GRAPHITE + PEEK
13	1	Disc Spring	STAINLESS ST. 316
14	2	Stem Nut	STAINLESS ST. 316
15	1	Locking Clip	STAINLESS ST. 316
16	1	Stop Pin	STAINLESS ST. 304
17	12/16	Bolt	A320 Gr. L7 ZINC.
18	1	Stop Indicator	CARBON ST. ZINC.
19	1	Handle	CARBON ST. ZINC. / VINYL

↳ TYPICAL SPARE PARTS

→ Applicable for sizes DN65 ÷ 100 only

Pressure - Temperature Rating

— CG-PTFE Seats - - - - - A350 LF2 Body



Seat Options

Material	mOT* [°C]	MOT* [°C]
PTFE	-29	200
TFM 1600	-29	200
CG-RPTFE	-29	240
PEEK	-29	280

*mOT - minimum Operating Temperature

*MOT - Maximum Operating Temperature at 10 bar

DN	Rating
DN 50 FB	103,4 bar / 1500 psi
DN 65 to 100 FB	51,7 bar / 750 psi

CERTIFICATION	CONSTRUCTION STANDARDS	TEST STANDARDS
CE Certification acc. to PED 2014/68/EU		
EAC Certification acc. to TR CU GOST 010 and 032	ASME B16.34	All valves with <i>resilient seats</i> , are tested acc. to: EN 12266-1 Rate A and API 598 / ISO 5208.
Fire Safe acc. to API 607 Ed.6 to ISO 10497	ISO 17292	TESTS APPLIED: Hydrostatic and Pneumatic
ATEX II 2GD Certification acc. to 2014/34/EU	MSS-SP-25	EN 10204 type 3.1 Certificate available for every valve
Fugitive Emissions Class B acc. to ISO 15848 CO1 (-46°C to RT)	ISO 5211	
Company Quality System Certified acc. to ISO 9001		