

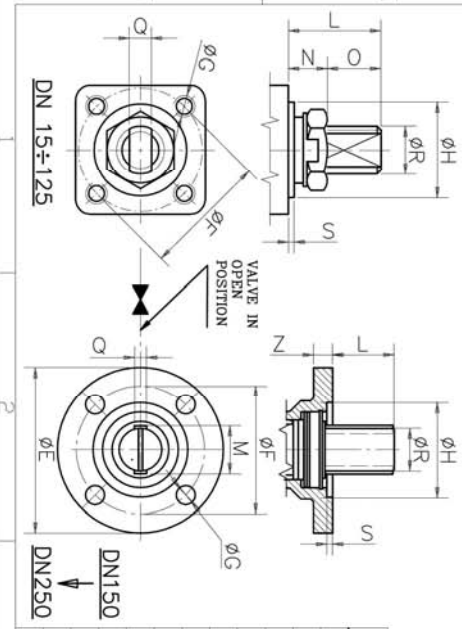
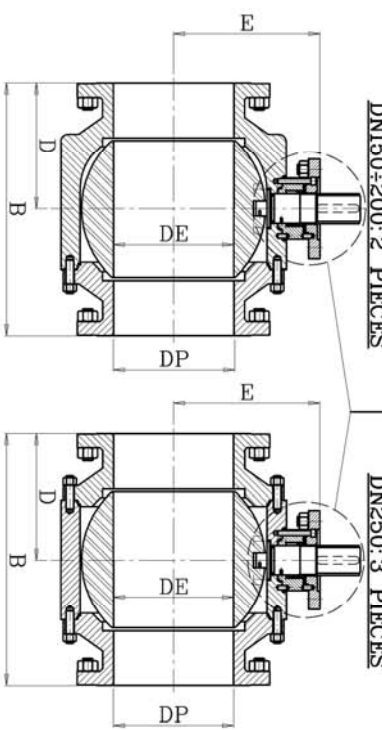
Minimum shell thickness in accordance with BS 5351

FIRE SAFE VALVES ACCORDING TO "API 607" or TO "BS 6755 P.2"

PAINTING Primer VIBROX RAL 5015 (T_h=30µm)





CONFIDENTIAL
Duplicating, copying or disclosure to third party a part or the whole of, or any information derived from this drawing must have DAFRAM's written permission

DN	15	20	25	32	40	50	65	80	100	125	150	200	250
DP	15	20	25	38	51	65	76	102	152	203	254		
DE	14	19	25	38	51	65	76	102	152	203	254		
A	99	110	125	148	158	171	209	225					
B	140	152,5	165	190	216	241	283	305	403	502	568		
C	158	158	258	330	330	330	400	400					
D	54	62	66,5	74	96	100	118	135	190	245	284		
E	31	40,3	45	63	73,5	82	110	131	216	254,5	309		
Press Kg/cm ²	3,8	6,3	8	15,2	21	26	46	81	138	193	295		



Tolerances		DN	15	20	25	32	40	50	65	80	100	125	150	200	250
±1.5	±1.5	DN	15	20	25	32	40	50	65	80	100	125	150	200	250
+0/-0.1	+0/-0.1	ØE	-	-	-	-	-	-	-	-	-	-	175	175	210
+3/-1	+3/-1	ØF	50	50	50	70	70	70	102	102	140	140	140	165	
		ØG	M6	M6	M6	M8	M8	M8	M10	M10	18	18	18	22	
		ØH	35	35	35	55	55	55	70	70	100	100	100	130	
		L	19,5	25,6	34,5	38	38	44	50	50	65	65	85,5	63	
		M	-	-	-	-	-	-	-	-	-	52	52	63	
		N	8,8	12,8	13,8	14,2	14,2	13,7	17,2	17,2	-	-	-	-	
		O	10,7	12,8	20,7	23,8	23,8	30,3	32,8	32,8	-	-	-	-	
		Q	6	8	8	12	12	16	20	20	14	14	14	16	
		R	10	12	18	22	22	30	36	36	45	45	45	55	
		S	2	2	2	2	2	2	2	2	6	6	6	6	
		Z	-	-	-	-	-	-	-	-	24	24	24	24	

Pos.	PART NAMES DESIGNATION	MATERIALS
38	TOP FL. PRIMARY GASKET	PTFE
37	TOP FL. SECOND GASKET	EXPANDED GRAPHITE
36	UPPER STEM BUSH	C.S.+PTFE
35	SPRING	50 Cr V4
31	STEM SEAL RING	PTFE
30	TOP FLANGE PIN	C.S.
29	ADAPTER PLATE	ASTM A350 gr.LF2
28	TOP FLANGE SCREWS	ASTM A105
27	TOP FLANGE	A2/70
26	STEM KEY	ASTM A350 gr.LF2
20	STEM O-RING	ASTM A105
19	PRIMARY BODY GASKET	C.S.
18	STOP SCREWS	VT0N
17	BOLTS	PTFE
16	NUTS	ASTM A320 gr.L7
15	ANTISTATIC DEVICE	ASTM A193 gr.B7
14	LOCK WASHER	ASTM A194 gr.7
13	SPACER	ASTM A194 gr.2H
12	SECONDARY BODY GASKET	ASTM A182 gr.F316
11	UPPER STEM SEAL	G.C.S.
10	LOWER STEM SEAL	G.C.S.
9	STOP	G.C.S.
8	SEAT	PTFE
7	WRENCH	C.S.
6	WRENCH NUT	G.C.S.
5	GLAND NUT	G.C.S.
4	STEM	ASTM A182 gr.F316
3	BALL	ASTM A182 gr.F316 or A351 gr.C8M
2	BODY CONNECTOR	ASTM A350 gr.LF2
1	VALVE BODY	ASTM A350 gr.LF2

DN >= 32, MARKING:   DN <= 25, MARKING:  

DAFRAM S.P.A. VALVOLE A SFERA MILANO

3001TM.9

U.Sigillo Pannoneggi Pannoneggi 23/10/08

CONTR. BY PASSED BY DATE

STP Approvazione JOHN CLARK VALVES LTD

Particolarit FROM BAR

Classificazione ANSI 300RF

Scale TM

Identificatore/Disegno AF000792

<< INDICATIVE DRAWING >>