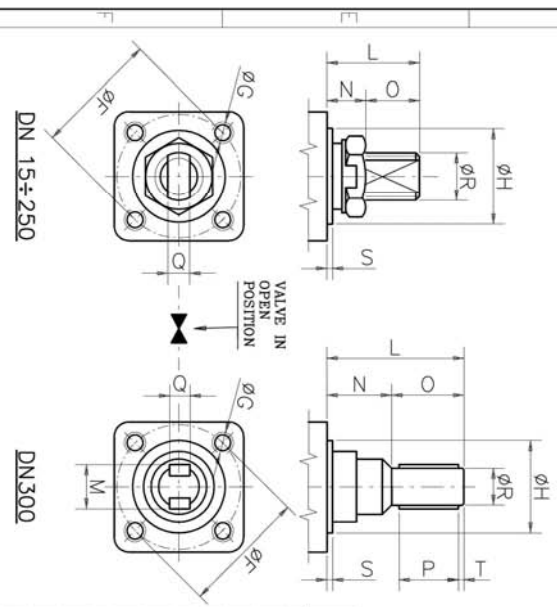


<< INDICATIVE DRAWING >>



Tolerances		DN	15	20	25	32	40	50	65	80	100	125	150	200	250	300
ϕF	± 1.5	50	50	50	50	50	70	70	70	70	102	102	140	165	165	165
ϕG	$+0/-0.1$	M6	M6	M6	M6	M6	M8	M8	M8	M8	M10	M10	M10	M16	M20	M20
ϕH	$+0/-0.1$	35	35	35	35	35	55	55	55	55	70	70	100	130	130	130
L	$+3/-1$	18	22.2	25.6	34.5	34.5	38	38	44	50	50	50	61	61	172	172
M																63
N	± 1.5	8.8	9.8	12.8	13.8	13.8	14.2	14.2	13.7	17.2	17.2	17.2	21.2	21.2	21.2	82
O		9.2	12.4	12.8	20.7	20.7	23.8	23.8	30.3	32.8	32.8	32.8	39.8	39.8	39.8	90
P																70
Q	$+0/-0.1$	6	8	8	8	8	8	12	12	12	16	20	20	30	30	16
ϕR		10	12	12	18	18	18	22	22	22	30	36	36	48	48	55
S	± 0.5	2	2	2	2	2	2	2	2	2	2	2	2	2	2	2
T																3

CONFIDENTIAL
 Duplicating, copying or disseminating to third party a part of this drawing without the written permission of DAFRAM is strictly prohibited. This drawing must have DAFRAM's written permission.

FIRE SAFE VALVES
 ACCORDING TO "API 607"
 or TO "BS 6755 P.2"
 Minimum shell thickness in accordance with BS 5351

DN \geq 32, MARKING:
 II 2 GD

DN \leq 25, MARKING:
 II 2 GD

Pos.	PART DESIGNATION	NAMES	MATERIALS
20	STEM O-RING		VITON
19	BODY GASKET		EXPANDED GRAPHITE
18	STOP SCREWS		8.8
15	ANTISTATIC DEVICE		ASTM A182 gr.F316
14	LOCK WASHER		ASTM A182 gr.F316
13	SPACER		ASTM A182 gr.F316
12	BODY GASKET		PTFE
11	UPPER STEM SEAL		EXPANDED GRAPHITE
10	LOWER STEM SEAL		RP TFE
9	STOP ARRET		G.C.S.
8	SEAT		PTFE
7	WRENCH LEVER		C.S.
6	WRENCH NUT		G.C.S.
5	GLAND NUT		G.C.S.
4	STEM AXE		ASTM A182 gr.F316
3	BALL SPHERE		ASTM A182 gr.F316 or A351 gr.CF8M
2	INSERT CORPS		ASTM A351 gr.CF8M
1	VALVE BODY		ASTM A351 gr.CF8M
			ASTM A350 gr.LF2
			ASTM A105

DN	15	20	25	32	40	50	65	80	100	125	150	200	250	300
DP	15	20	25	30	40	51	65	76	102	125	152	203	254	305
DE	9.5	14	17	25	30	38	51	58	76	98	98	144	187	215
A	82	90	95	127	130	143	153	169	190	209	209	--	--	--
B	108	117	127	140	165	178	191	203	229	254	267	292	330	356
C	158	158	158	258	258	330	330	400	400	400	--	--	--	--
D	54	57.5	60	61	58	75	73	83	95	120	100	146	165	178
E	20	24.5	28.2	44.8	47.5	58	68.5	77.5	90.5	112.5	125	151	181	208
CAST BAR	1.6	2.4	3.1	4.2	5.2	6.8	8.8	12	16.8	26.8	36.8	40	83	110
WEIGHT Kg	1.6	3	4	6.1	7.5	12.8	17.5	22	40	53	60	112	151	195

ON CARBON STEEL VALVE
 PAINTING
 Primer VIBIPOX RAL 5015 (Tk=30µm)

DAFRAM S.p.A.
 VALVOLE A SFERA
 MILANO

Particolarità: **DAFRAM VALVOLE A SFERA**

Classe/Configurazione: **ANSI 150RF**

Identificatore/Disegno: **AF000786**

Disegnato: **JOHN CLARK VALVES**

Verificato: **MC**

Scale: **MC**

Classe: **DW STD**