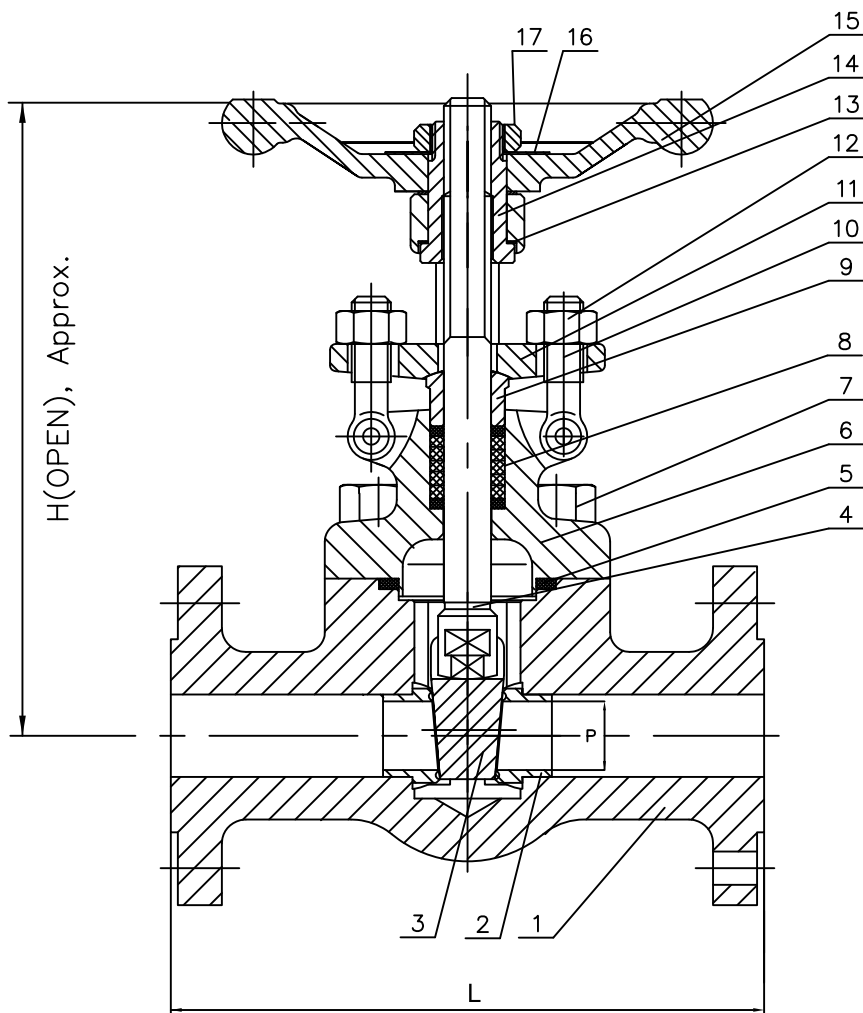


BILL OF MATERIAL

No.	Parts	Materials	Remark
1.	BODY	A105N	
2.	SEAT RING	A276-410 + Stellite	
3.	WEDGE	A276-410	
4.	STEM	A182-F6	
5.	GASKET	Spiral Wound Type 304+Graphite	
6.	BONNET	A105N	
7.	BONNET BOLT	A193-B7M	
8.	GLAND PACKING	Flexible Graphite	
9.	GLAND	A276-410	
10.	GLAND BOLT	A193-B7M	
11.	GLAND FLANGE	A105	
12.	GLAND NUT	A194-2HM	
13.	SLEEVE WASHER	Stainless Steel	
14.	YOKE SLEEVE	A582-303	
15.	HANDWHEEL	A197	
16.	NAME PLATE	St/St	
17.	H/W NUT	1035+Zin	

- NOTE:
1. Integral Type.
  2. The Flanges shall have 125-250 AARH finishing.
  3. NACE: MR0175 Ed:2002, MR0103



D I M E N S I O N (mm)

NPS (inch)	H	L	W	Port Dia P	Ends								Weight (kg)	Q'TY (pcs)	Fig No.
					D	C	g	t	f	nxh	d				
1/2	158	140	100	9.6									4.8		GAC300-8
3/4	169	152	100	12.7									6.2		GAC300-8
1	197	165	125	18.0									9.3		GAC300-8
1 1/2	246	190	160	28.6									15.5		GAC300-8
2	283	216	180	37.5									23.4		GAC300-8

Design : ANSI B16.34/API 602/EN ISO 15761

Ends	<input checked="" type="checkbox"/> RF (ASME B16.10, B16.5) <input type="checkbox"/> FF	
Connection	<input type="checkbox"/> Small Tongue <input type="checkbox"/> R T J	
Test (API 598)	Shell	Hydrostatic : 1110 psig ( 76 kgf/cm <sup>2</sup> )
	Seat/	Hydrostatic : 814 psig ( 56 kgf/cm <sup>2</sup> )
	Backseat	Pneumatic : 80 psig ( 6 kgf/cm <sup>2</sup> )
Seat	Seat Ring	<input checked="" type="checkbox"/> Stellite (#6)
Surface	Disc or Wedge	<input type="checkbox"/> Stellite (#6) <input checked="" type="checkbox"/> Hardened (Q.T)
Coating	<input checked="" type="checkbox"/> Phosphatized <input type="checkbox"/> Epoxy painted	
	<input type="checkbox"/> Aluminum painted <input type="checkbox"/> Non-Application	

	REV 2	15.08.16			
	First Issue	JULY/19/'04			
Rev.	Description	Date	Drawn by	Chk'd by	App'd by
		TOCINA Valvulas S.L.			
		TITLE CLASS 300 GATE BB DS&Y FLG'D A105N/13Cr/HFS (No8)			
Drawing No.		994-0719-01-14		Rev.	0