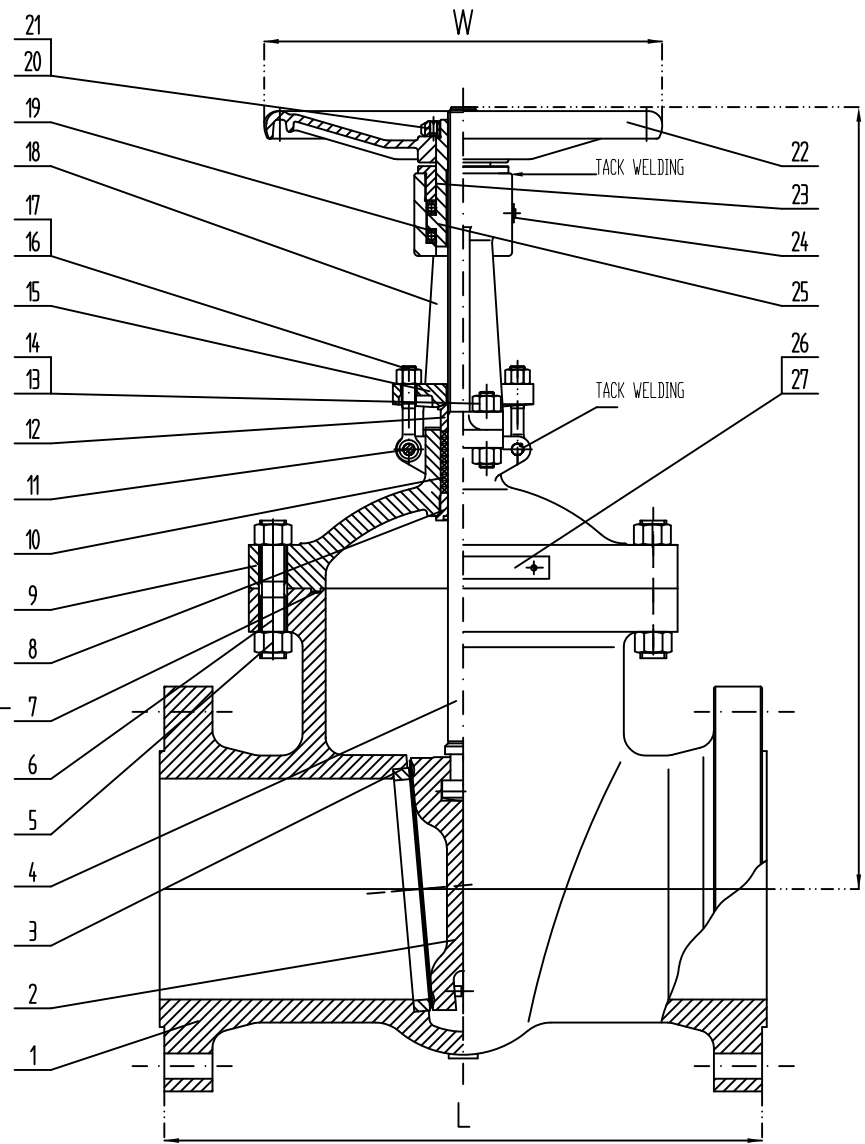


A



Class		600LB	
Test Pressure	Shell Test	150	BAR
	High Pressure	110	
	Back Seat	110	
	Low Pressure	6	

Technical Requirements:

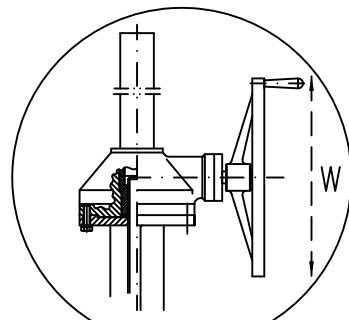
1. Design & Manufacture to: API 600/BS EN ISO 10434:2004
2. Press/Temp to ANSI B16.34
3. Face to face to ANSI B16.10
4. Flange Dimensions to ASME B16.5
5. Test & Inspection to API 598/ISO 5208
6. NACE MR-01-75 (Latest Revision)
7. Conform to Pressure Equipment Directive 2014/68/EU

B

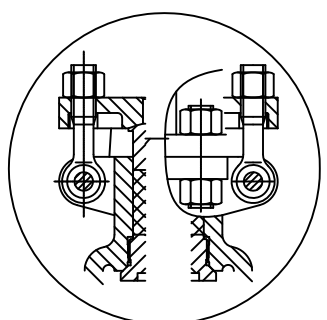
C

D

E



Manual Gearbox Operator *



2 Piece Bonnet **

27	Rivet	BL2/Cu
26	Name Plate	1Cr18Ni9Ti/304
25	Stem Nut	A439 D2
24	Grease Nipple	Cu
23	Lock Nut	45
22	Handwheel	ASTM A395
21	Hex Screw	35
20	Handwheel Nut	45
19	Shaft	35
18	Yoke	ASTM A216 WCB
17	Eye Bolt	ASTM A193 B7
16	Nut	ASTM A194 2H
15	Packing Gland	ASTM A216 WCB
14	Nut	ASTM A194 2HM
13	Stud Bolting	ASTM A193 B7M
12	Packing Plate	ASTM 276 410
11	Pin	AISI1035
10	Packing	Flexible Graphite
9	Bonnet	ASTM A216 WCB
8	Back Seat	ASTM A182 F6
7	Gasket	Graphite + St/St
6	Stud Bolting	ASTM A193 B7M
5	Nut	ASTM A194 2HM
4	Stem	ASTM A182 F6
3	Seat	A105 + Stellite
2	Wedge	ASTM A216 WCB+STL
1	Body	ASTM A216 WCB

F

Size (Inch)	2"	2 1/2"	3"	4"	6"	8"	10**	12**	14**	16**	18**	20**	24**	
L(RF)(BW)	292	330	356	432	559	660	787	838	889	991	1092	1194	1397	
L(RTJ)	295	333	359	435	562	664	791	841	892	994	1095	1200	1407	
H (Closed)	375	410	463	550	713/958*	874/1148*	995/1350*	1140/1580*	1365/1630*	2008*	2140*	2360*	2710*	
W	250	250	300	350	500/310*	600/460*	600/460*	650/460*	700/460*	600*	600*	600*	600*	
Weight	(RF)	38	55	88	130	270	450	690	880	1140	1700	2270	2850	3610
	(BW)	32	42	63	102	218	368	550	770	915	1405	1760	2100	3200

CL600 Gate Valve OS & Y Bolted Bonnet Rising Stem

Issue No	3
Fecha/Date	15.08.18
Fig No	GAC600-5