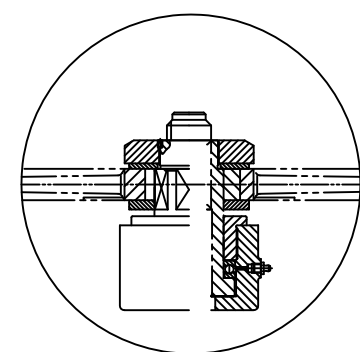
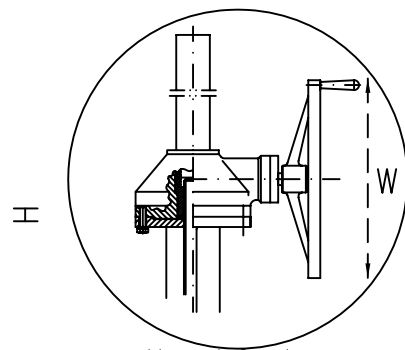


Class		150LB	
Test Pressure	Shell Test	30	BAR
	High Pressure	22	
	Back Seat	22	
	Low Pressure	6	

Technical Requirements:

1. Design & Manufacture to: BS1873
2. Press/Temp to ANSI B16.34
3. Face to face to ANSI B16.10
4. Flange Dimensions to ASME B16.5
5. Test & Inspection to API 598/ISO 5208
6. NACE MR-01-75 (Latest Revision)
7. Conform to Pressure Equipment Directive 2014/68/EU



24	Rivet	BL2/Cu
23	Name Plate	1Cr18Ni9Ti/304
22	Grub Screw	Gr.22H
21	Nut	Gr 8
20	Washer	Carbon Steel
19	Handwheel	ASTM A536 60-40-18
18	Stem Nut	A439 D2
17	Gland Flange	ASTM A216 WCB
16	Gland	ASTM 276 410
15	Packing	Flexible Graphite
14	Nut	ASTM A194 2HM
13	Eye Bolt	ASTM A193 B7M
12	Pin	ANSI 1035
11	Back Seat	ASTM A276 410
10	Bonnet	ASTM A216 WCB
9	Gasket	Graphite + St/St
8	Stud Bolting	ASTM A193 B7M
7	Nut	ASTM A194 2HM
6	Stem	ASTM A182 F6
5	Thrust Cover	ASTM A276 410
4	Thrust Gasket	304 St/St
3	Disc	ASTM A105 + F6
2	Seat	A105 + Stellite
1	Body	ASTM A216 WCB

Size (Inch)	2"	2 1/2"	3"	4"	5"	6"	8"*	10"*	12"*	14"	16"	
L(RF)(BW)	203	216	241	292	356	406	495	622	698	787	914	
H (Closed)	315	343	363	444	469	547	599	741	965	991	990	
H (Open)	342	417	394	482	515	489	522	650	845	879	880	
W	200	250	250	300	350	350	400/310*	450/460*	560/460*	560/530*	640/530*	
Weight	(RF)	23	29	41	64	72	105	155	286	507	617	810
	(BW)	19	25	36	50	63	82	131	249	430	589	765

CL150 Globe Valve OS & Y Bolted Bonnet Rising Stem

Issue No 3
Fecha/Date 15.08.17

Fig No
GLC150

